

1.2 Schematics

Figure 3. Schematics 1 of 4

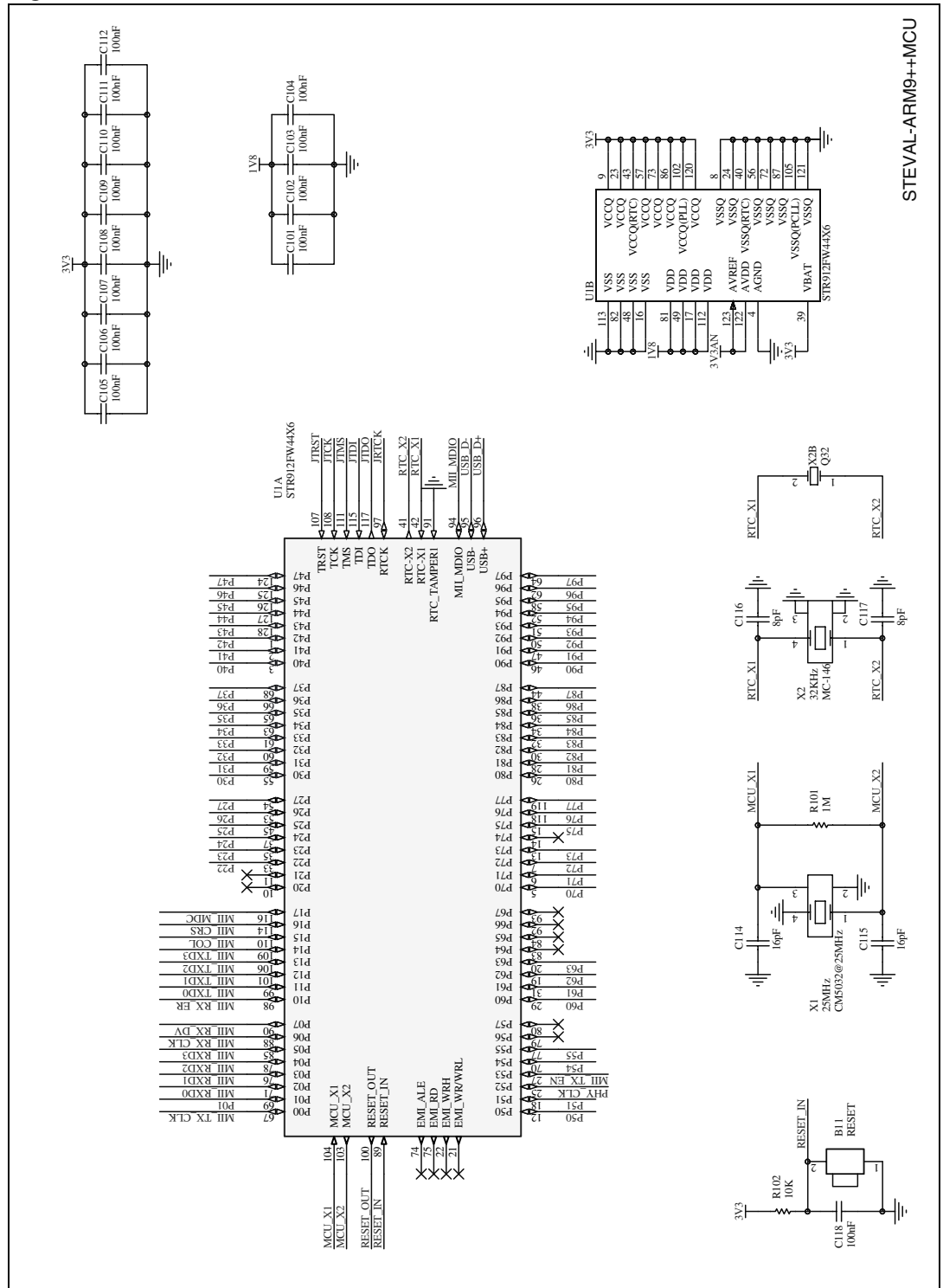
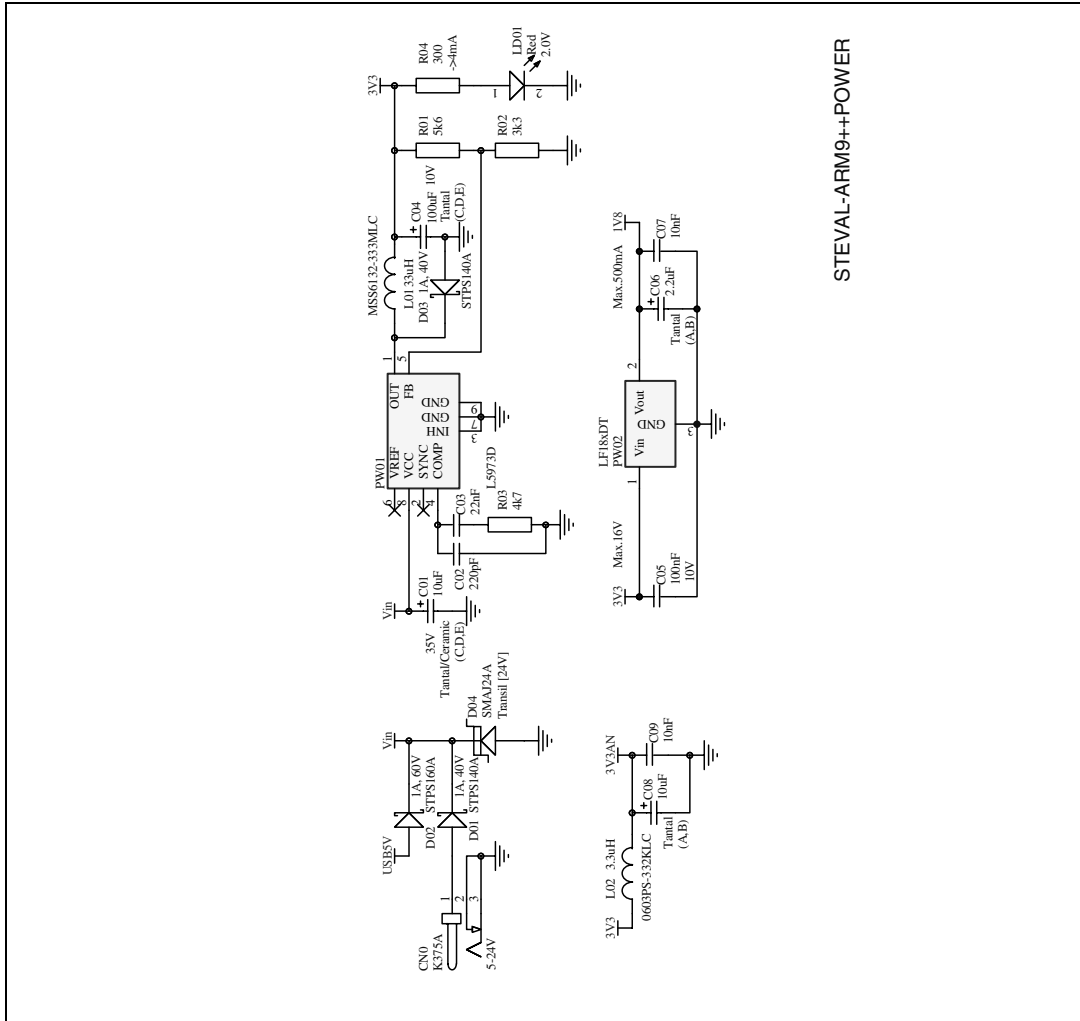
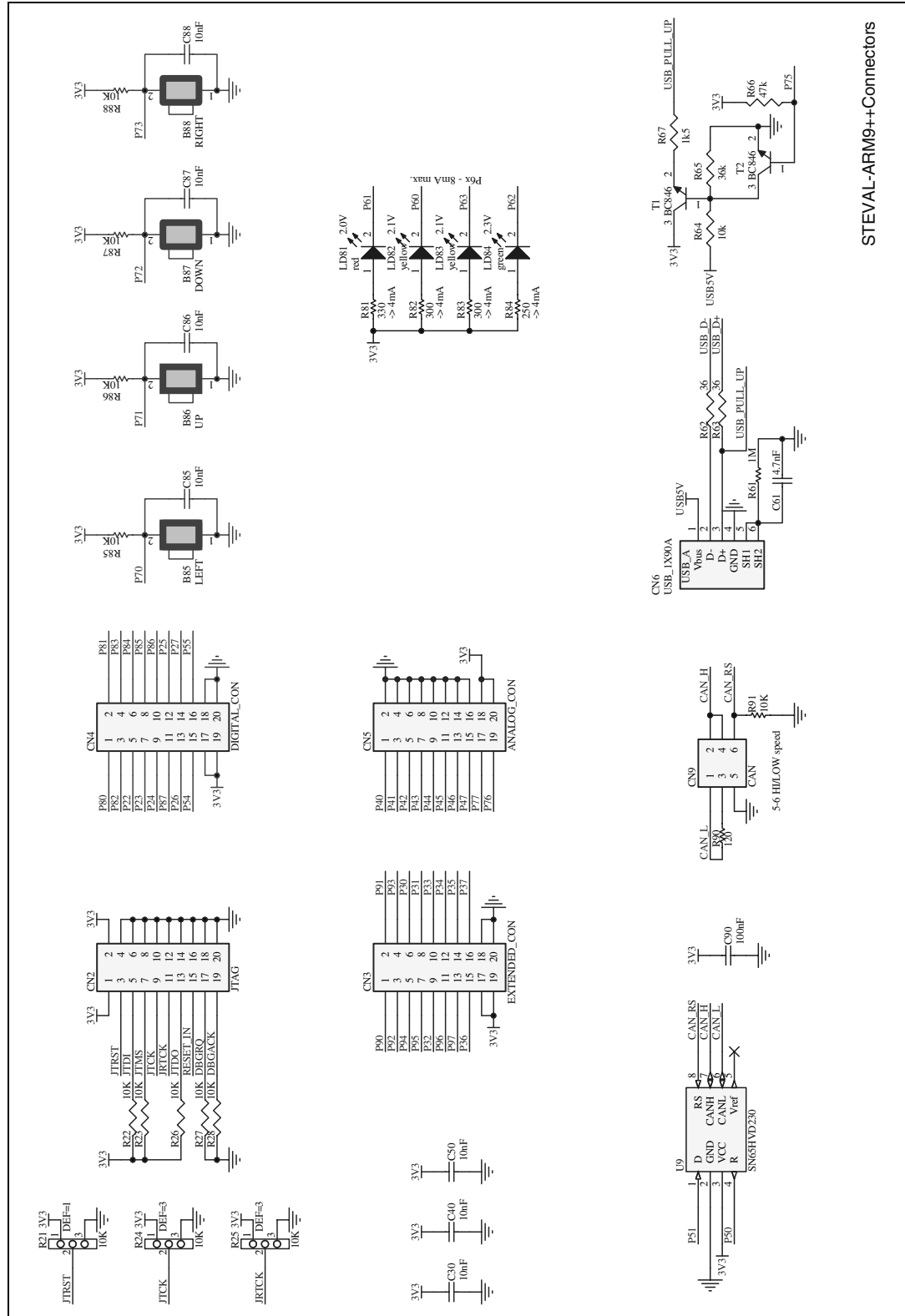


Figure 4. Schematics 2 of 4



STEVAL-ARM9++ POWER

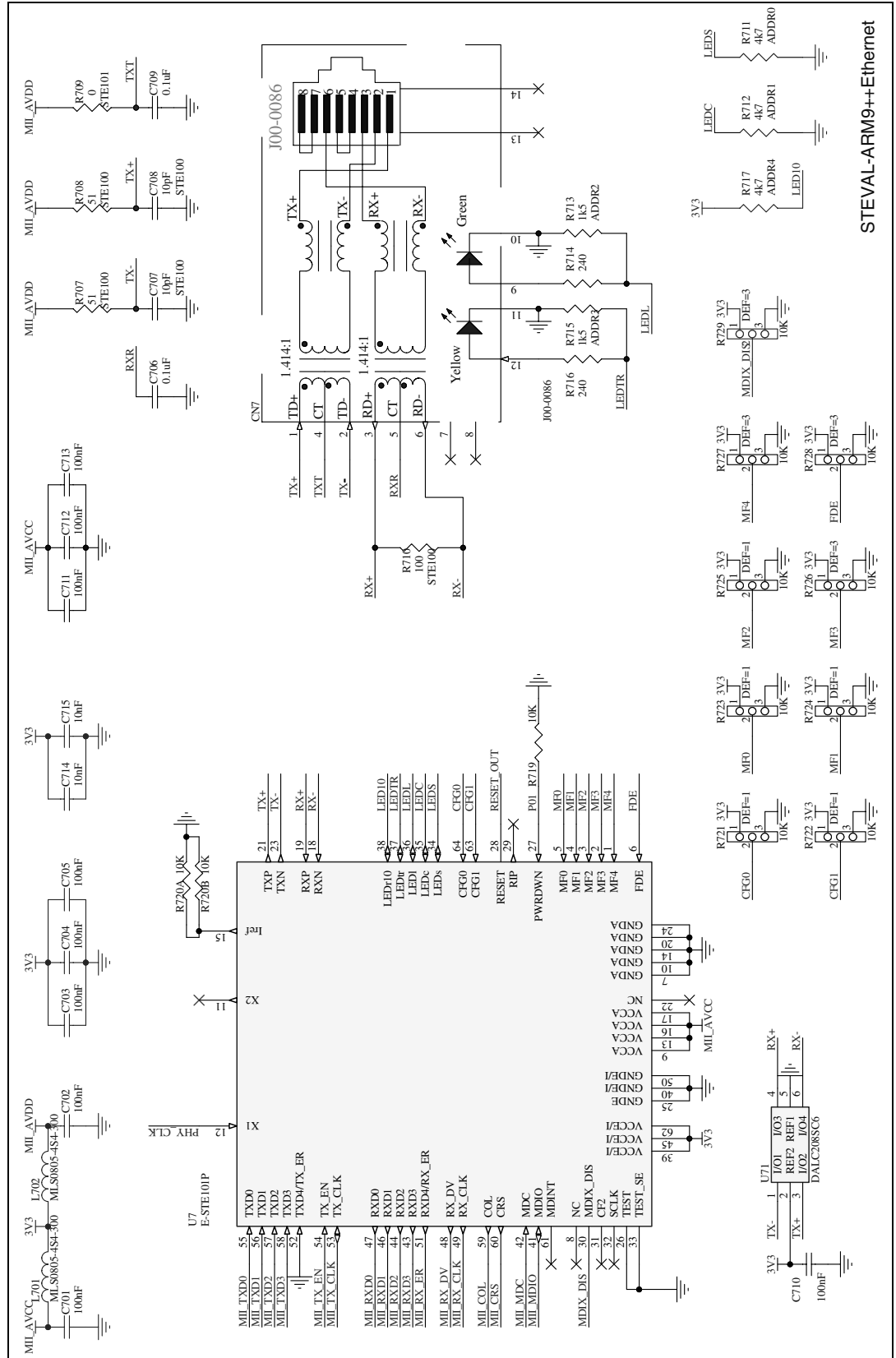
Figure 5. Schematics 3 of 4



STEVAL-ARM9++Connectors

Note: Refer to Section 1.2.1 on page 8 for pin connections of CN3, CN4 and CN5 connectors.

Figure 6. Schematics 4 of 4



STEVAL-ARM9++Ethernet

