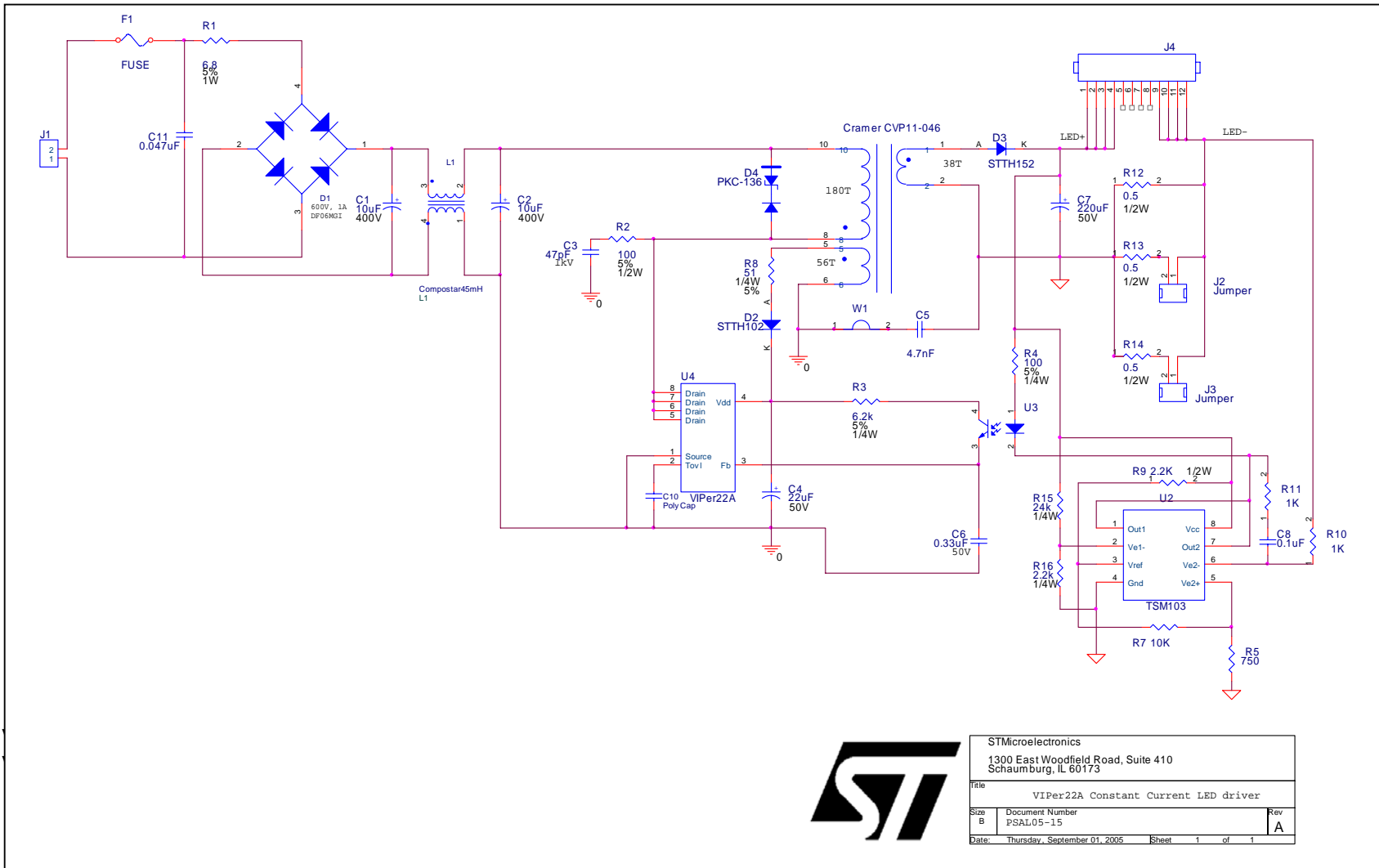




VIPer22A LED Schematic:



STMicroelectronics		
1300 East Woodfield Road, Suite 410		
Schaumburg, IL 60173		
Title		
VIPer22A Constant Current LED driver		
Size	Document Number	Rev
B	PSAL05-15	A
Date:	Thursday, September 01, 2005	Sheet 1 of 1