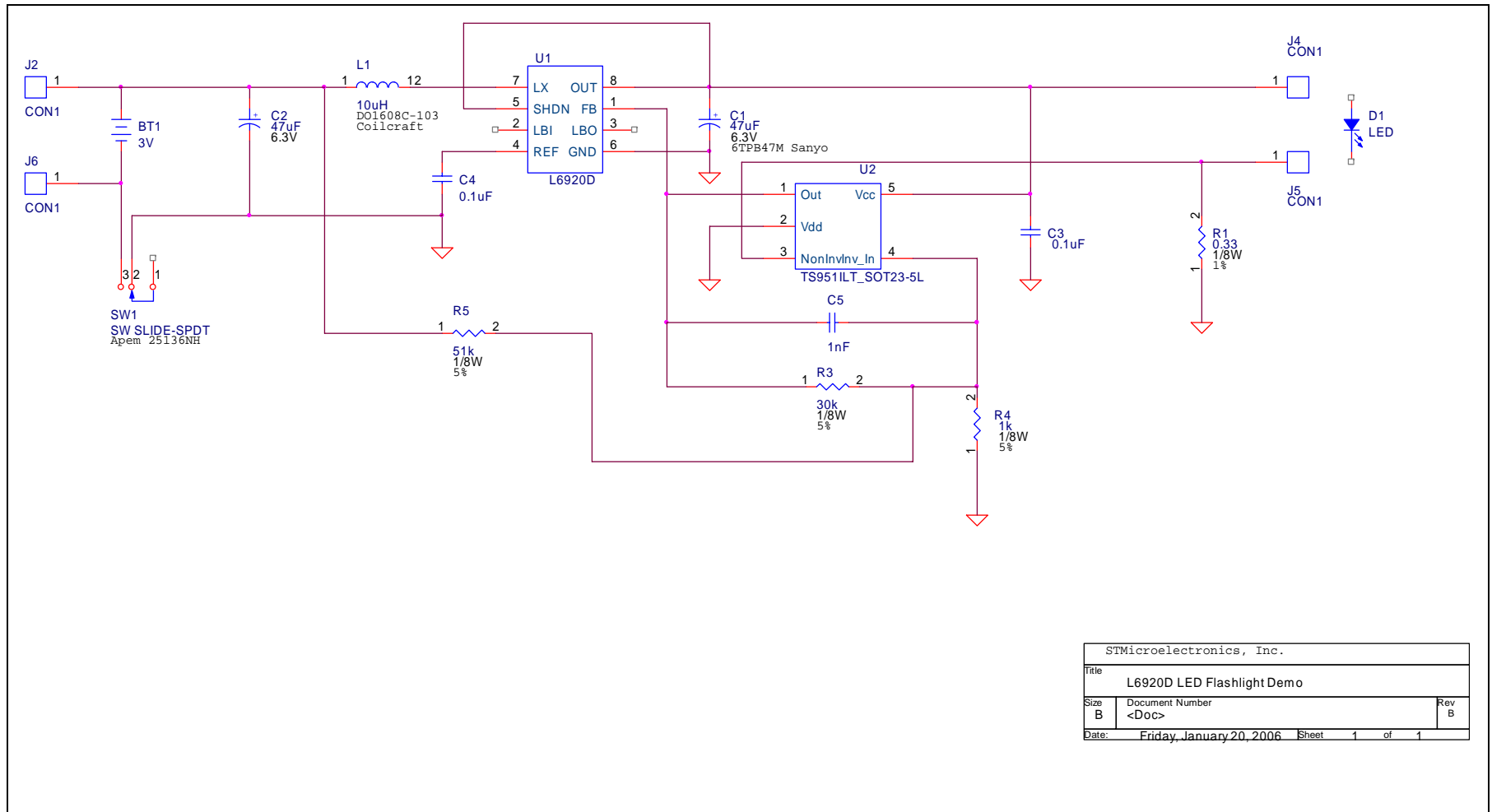


# L6920D Flashlight Schematic:



STMicroelectronics, Inc.		
Title		
L6920D LED Flashlight Demo		
Size	Document Number	Rev
B	<Doc>	B
Date:	Friday, January 20, 2006	Sheet 1 of 1