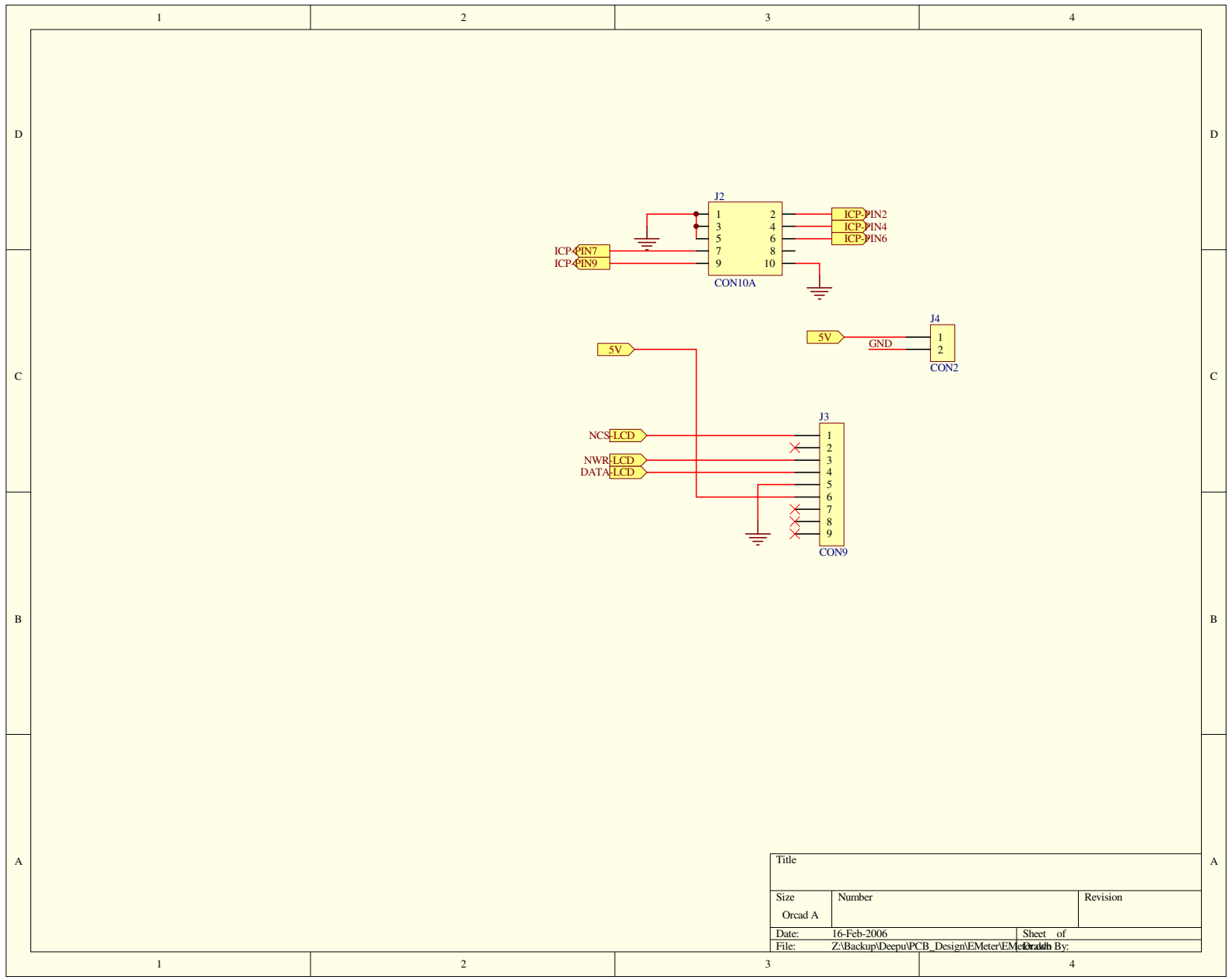
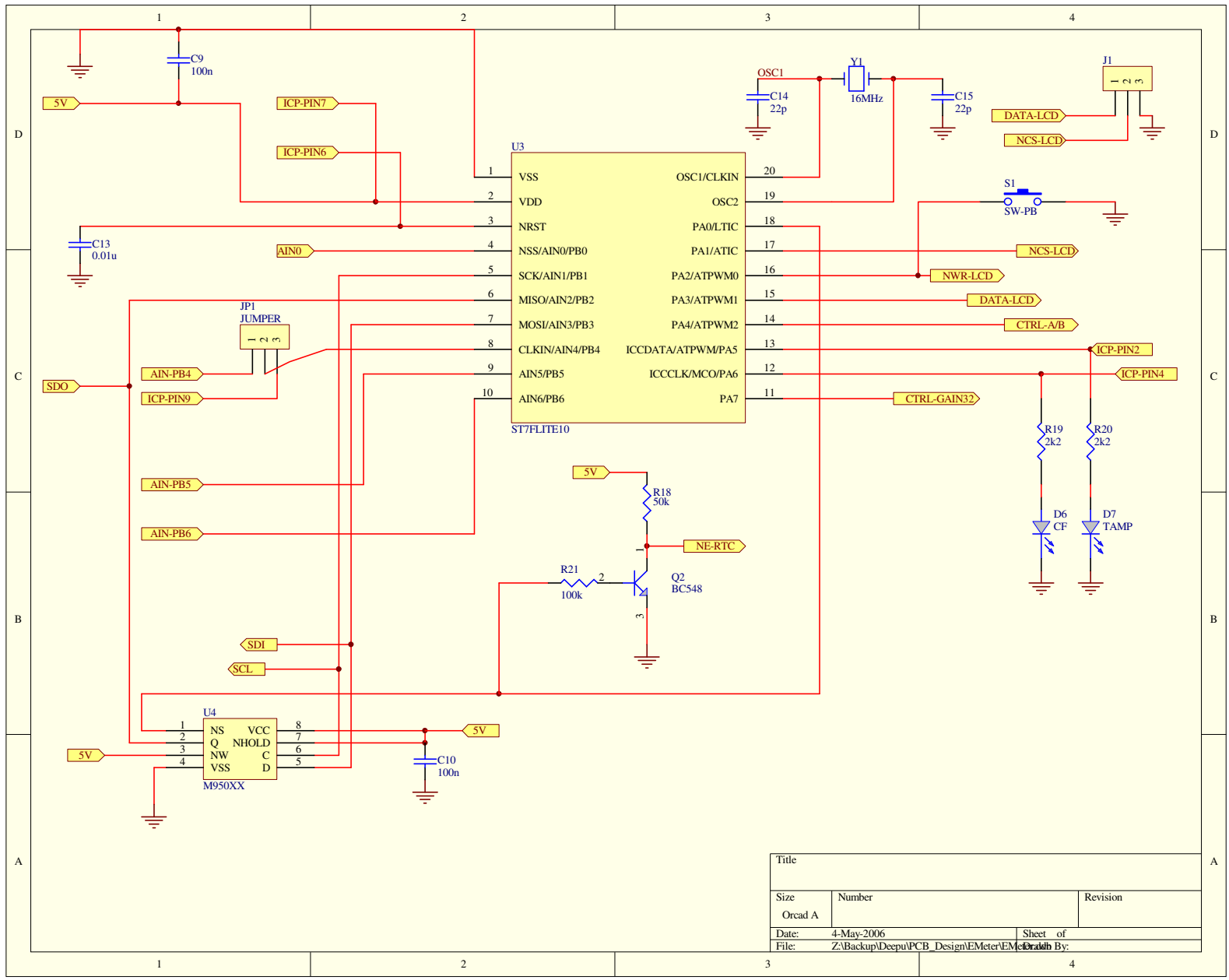


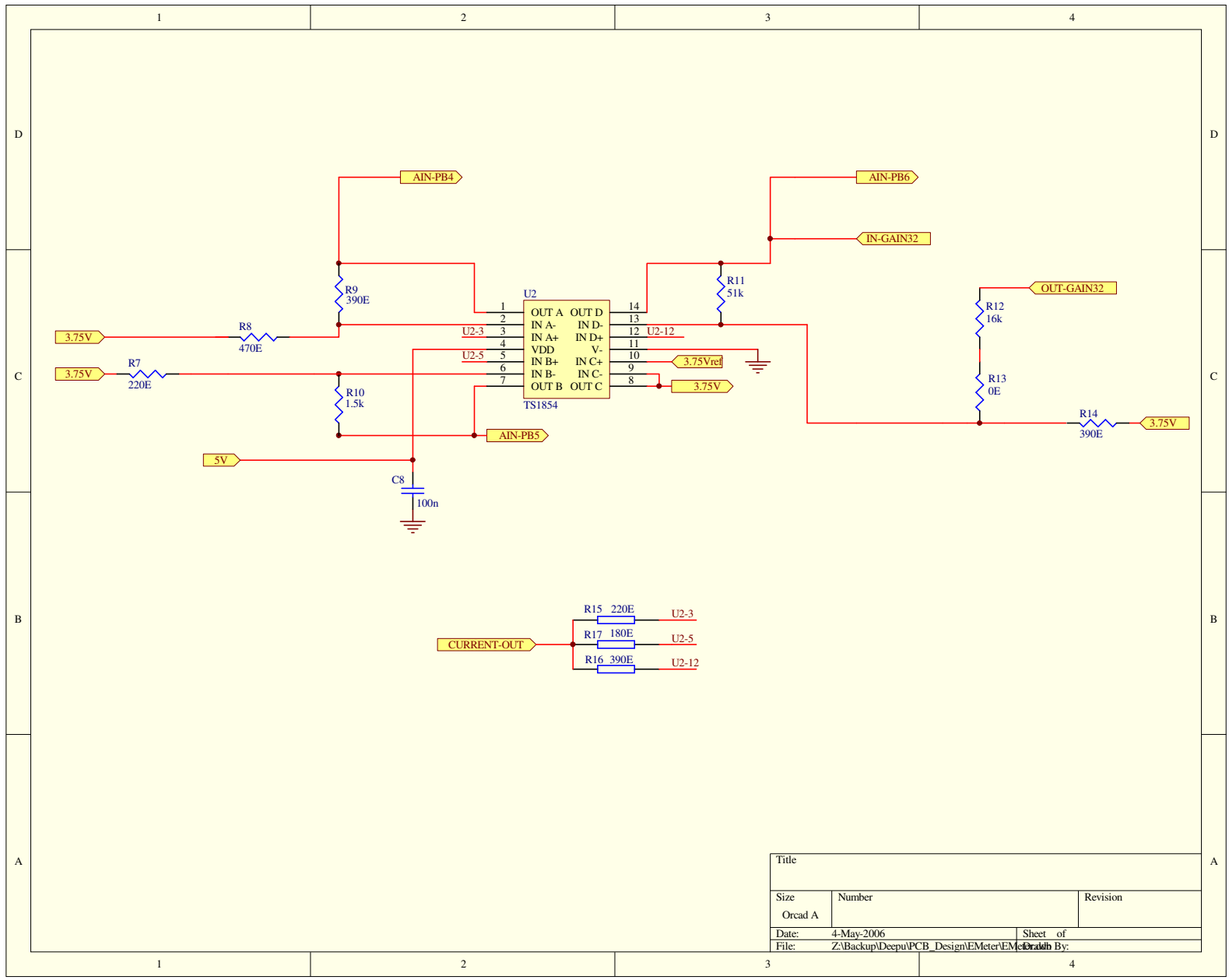
Title		
Size	Number	Revision
Sheet A		
Date:	4-May-2006	Sheet of
File:	Z:\Backup\Deepu\PCB_Design\EMeter\EMeter.dtb	Drawn By:



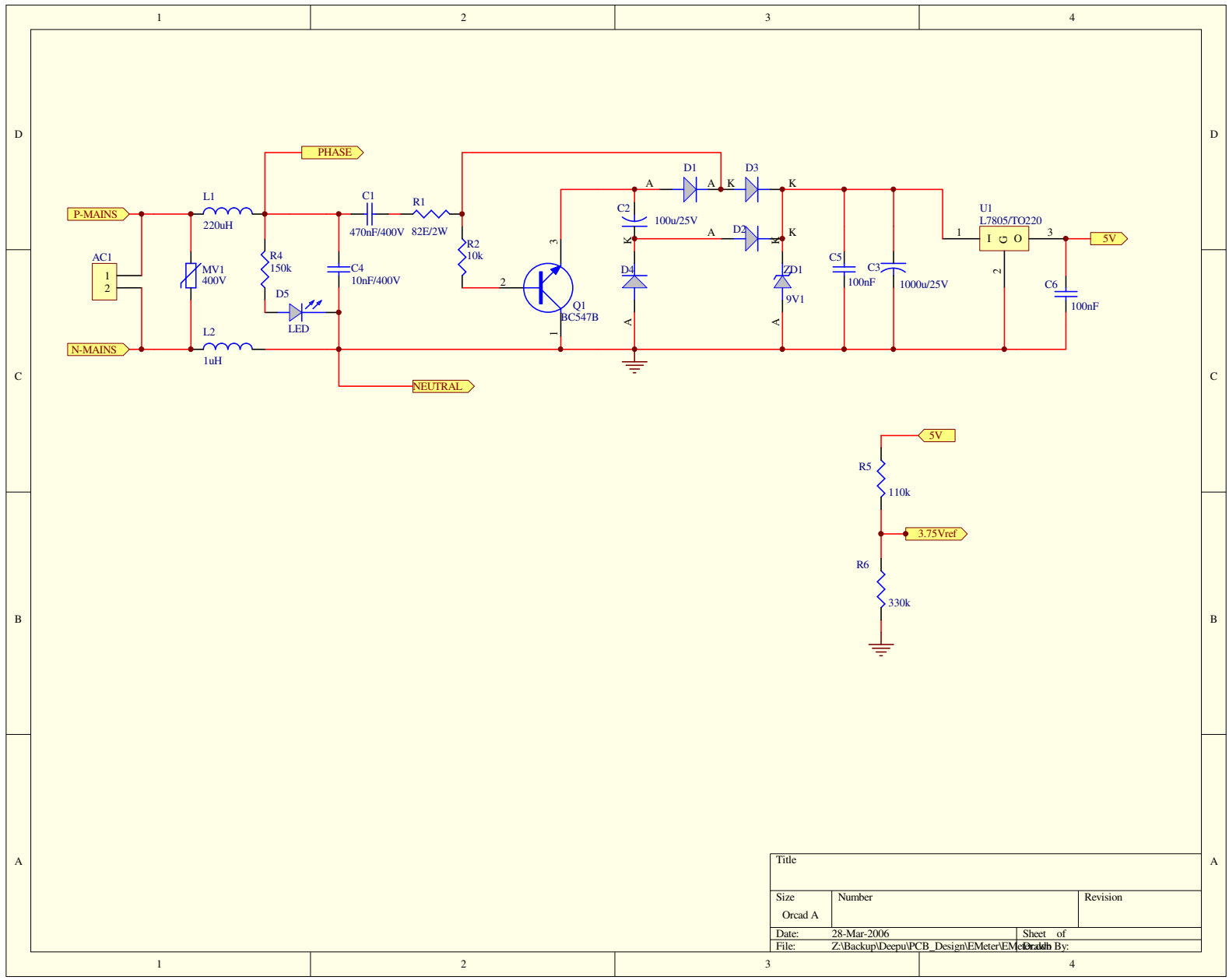
Title		
Size	Number	Revision
Sheet A		
Date:	16-Feb-2006	Sheet of
File:	Z:\Backup\Deepu\PCB_Design\EMeter\EMeter.dwg	Drawn By:



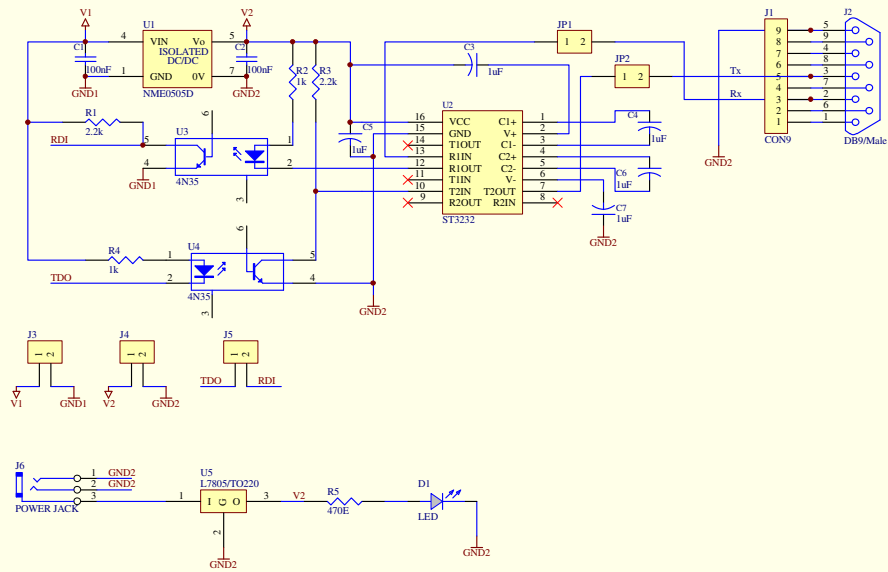
Title		
Size	Number	Revision
Oread A		
Date:	4-May-2006	Sheet of
File:	Z:\Backup\Deepu\PCB_Design\EMeter\EM-01.dsn	Drawn By:



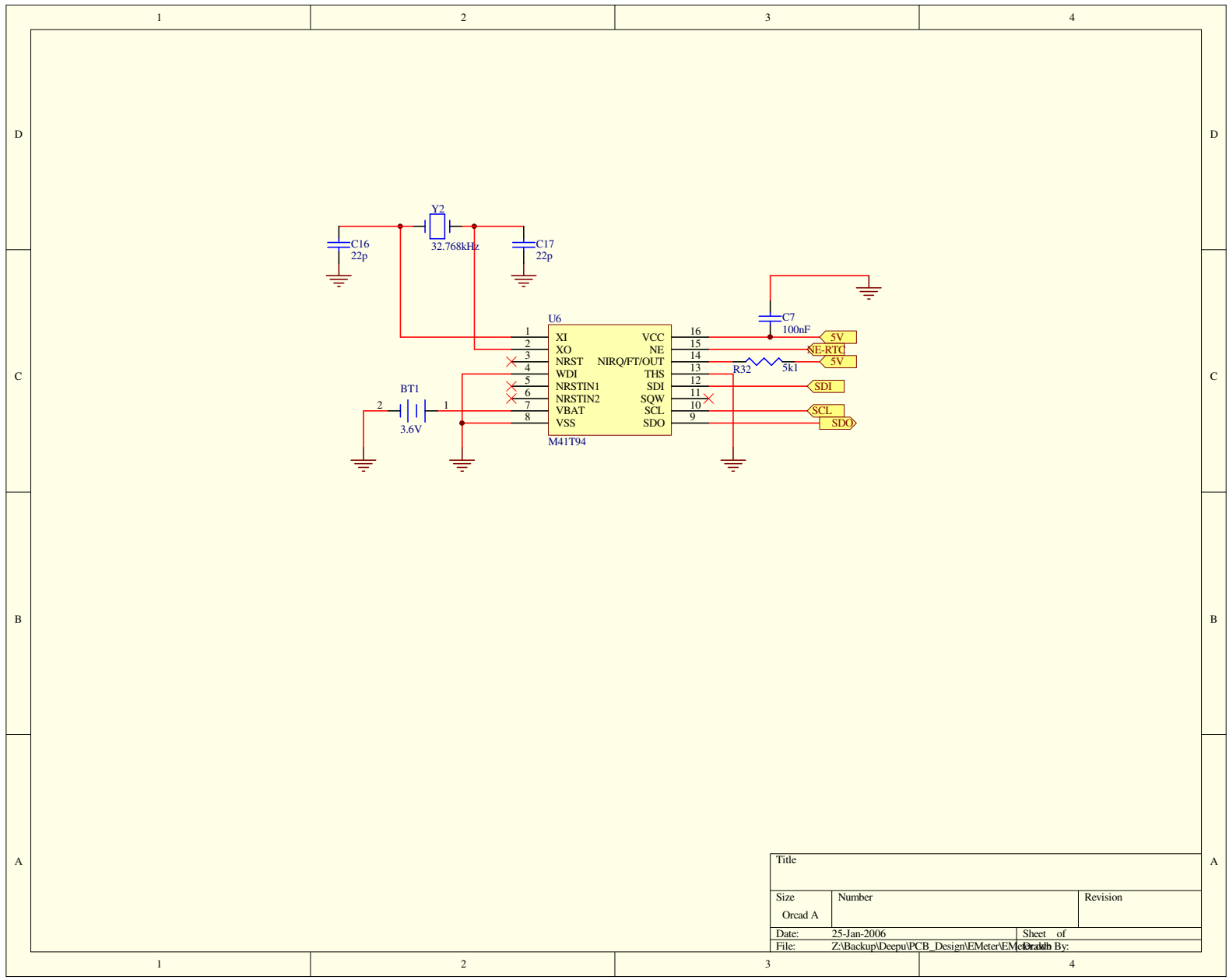
Title		
Size	Number	Revision
Oread A		
Date:	4-May-2006	Sheet of
File:	Z:\Backup\Deput\PCB_Design\EMeter\EMCell	Drawn By:



Title		
Size	Number	Revision
Oread A		
Date:	28-Mar-2006	Sheet of
File:	Z:\Backup\Depu\PCB_Design\EMeter\EMeter.dwg	Drawn By:



Title		
Size	Number	Revision
B		
Date:	21-Feb-2006	Sheet of
File:	Z:\Backup\Deept\PCB_Design\RS232.Ddb	Drawn By:



Title		
Size	Number	Revision
Orcaid A		
Date:	25-Jan-2006	Sheet of
File:	Z:\Backup\Deepu\PCB_Design\EMeter\EMeter01.dsn	Drawn By: