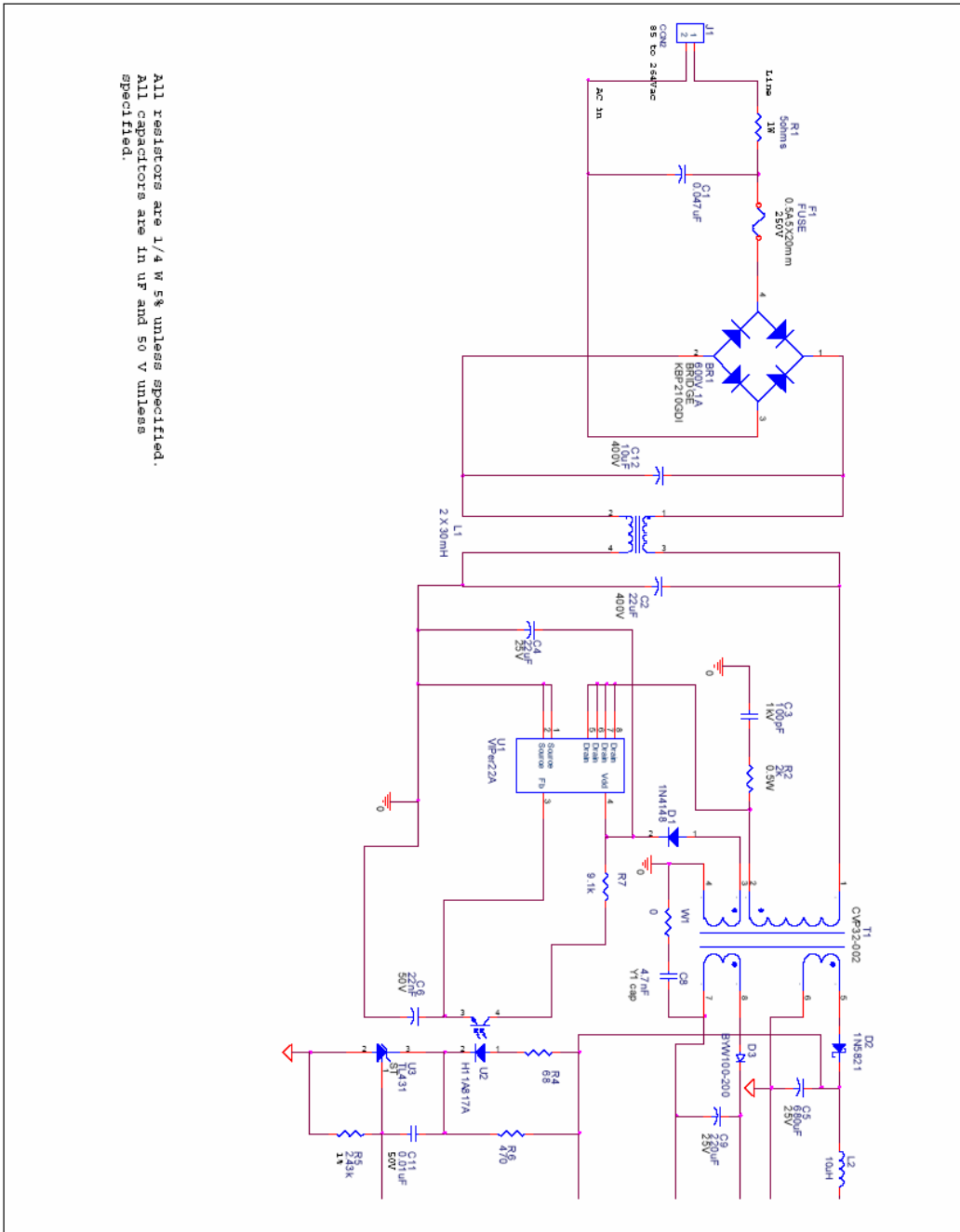


Schematic --- STEVAL-ISA004V1



All resistors are 1/4 W 5% unless specified.
 All capacitors are in μF and 50 V unless specified.