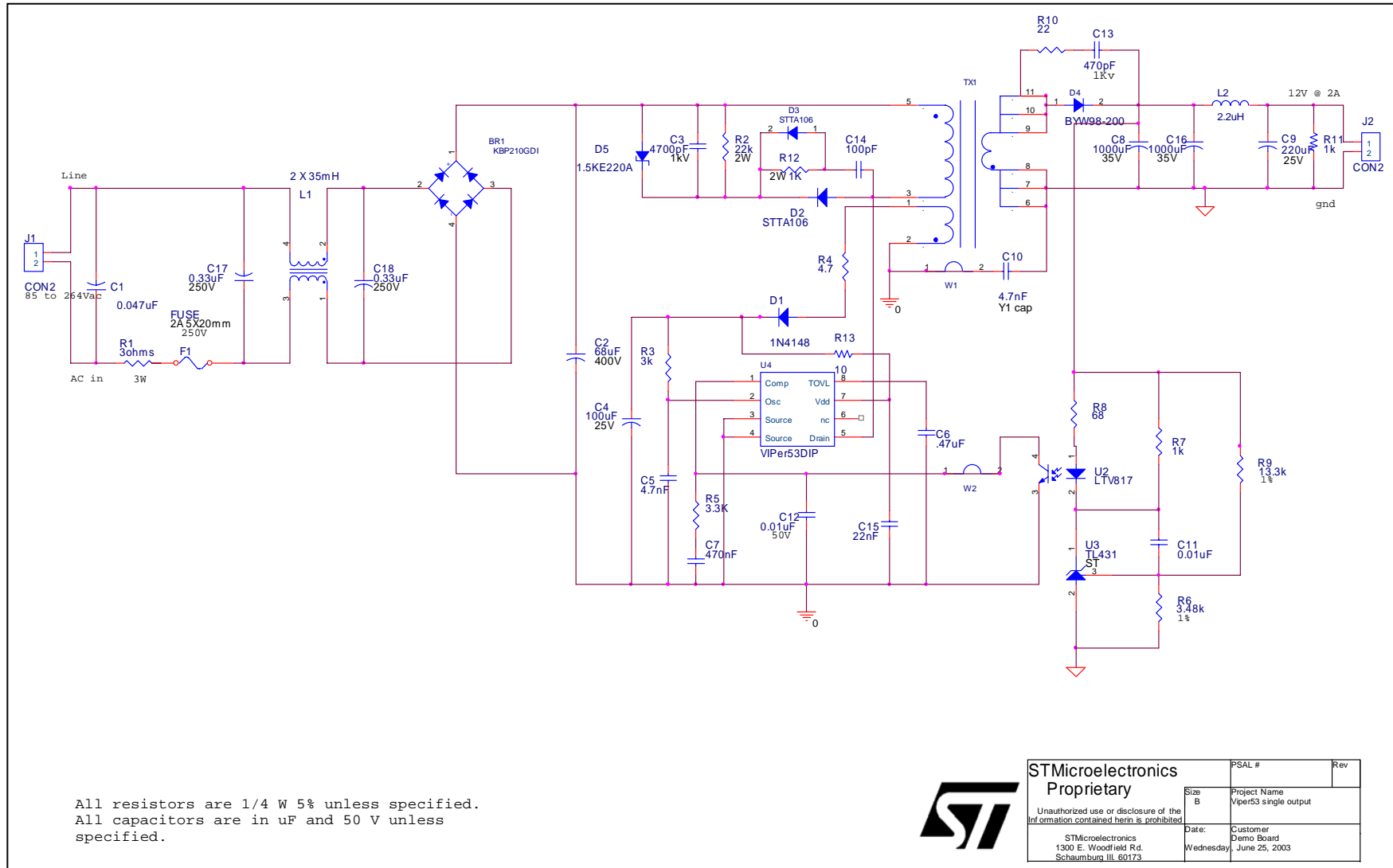


# VIPer53 Single Output Schematic:



All resistors are 1/4 W 5% unless specified.  
 All capacitors are in uF and 50 V unless specified.



<b>STMicroelectronics</b> Proprietary		PSAL #	Rev
Size B Unauthorized use or disclosure of the information contained herein is prohibited.	Project Name VIPer53 single output		
STMicroelectronics 1300 E. Woodfield Rd. Schaumburg Ill. 60173	Date: Wednesday, June 25, 2003	Customer Demo Board	