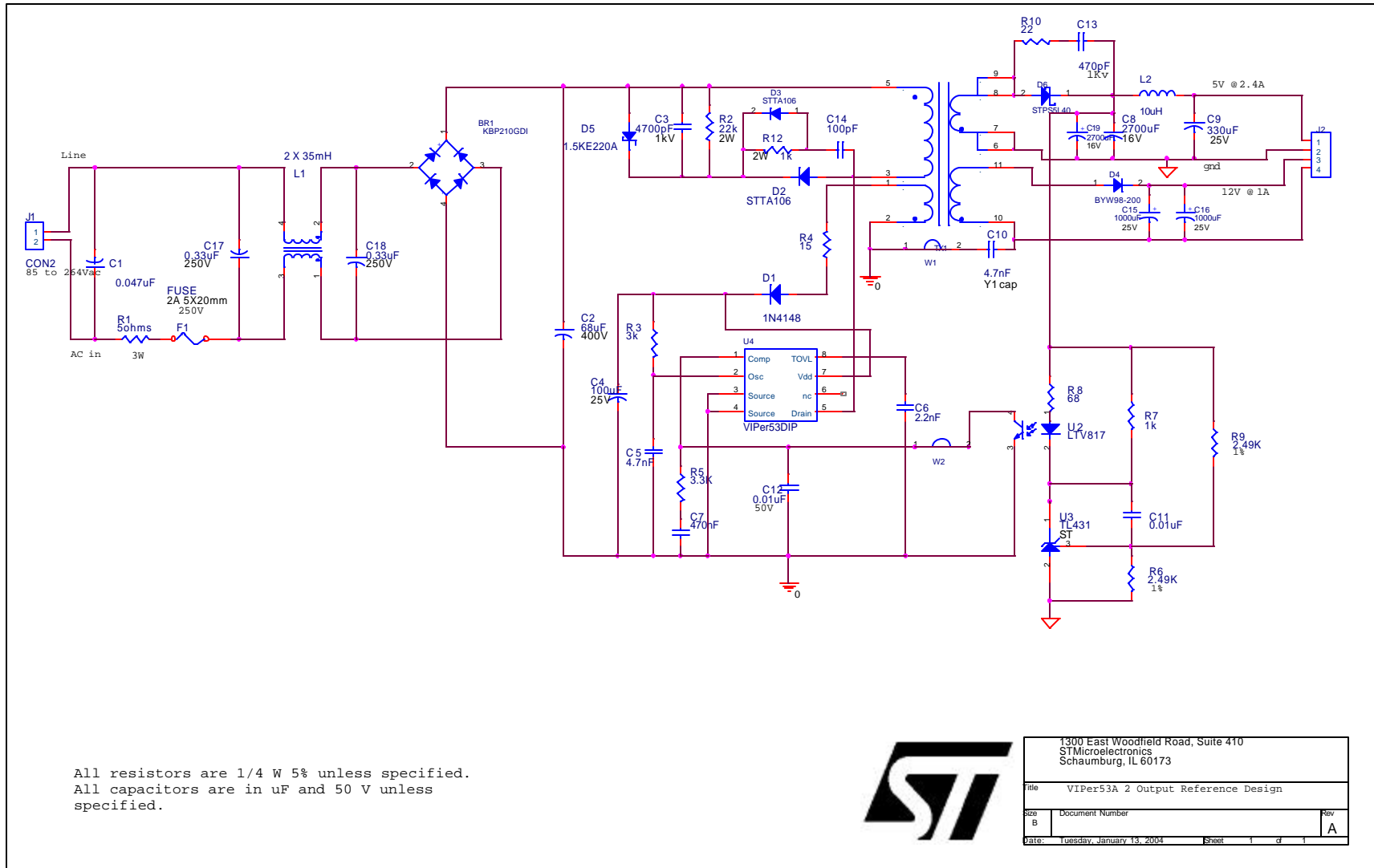


## VIPer53 Dual Output Schematic:



1300 East Woodfield Road, Suite 410 STMicroelectronics Schaumburg, IL 60173		
file VIPer53A 2 Output Reference Design		
size B	Document Number	Rev A
Date: Tuesday, January 13, 2004	Sheet 1 of 1	