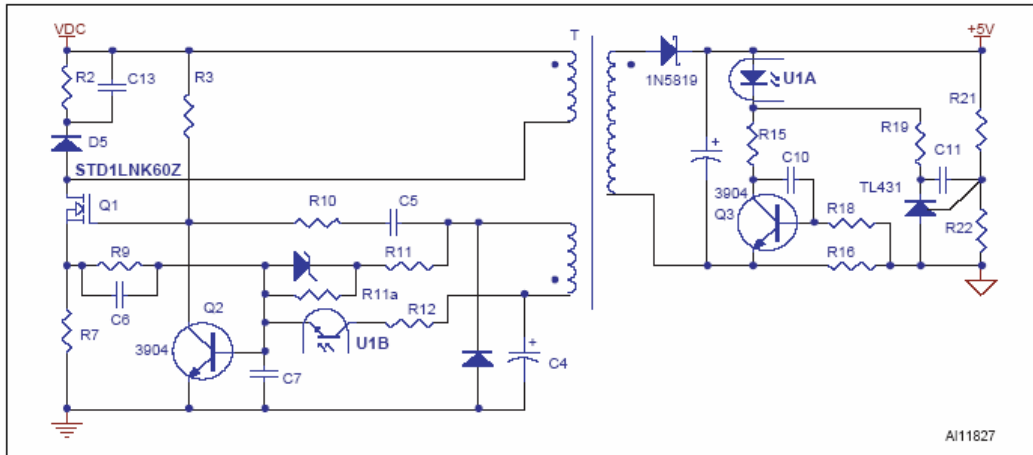


STEVAL-ISB001V1 --- RCC Control Circuit Components Schematic



STEVAL-ISB001V1 --- STD1LNK60Z-based RCC Schematic

