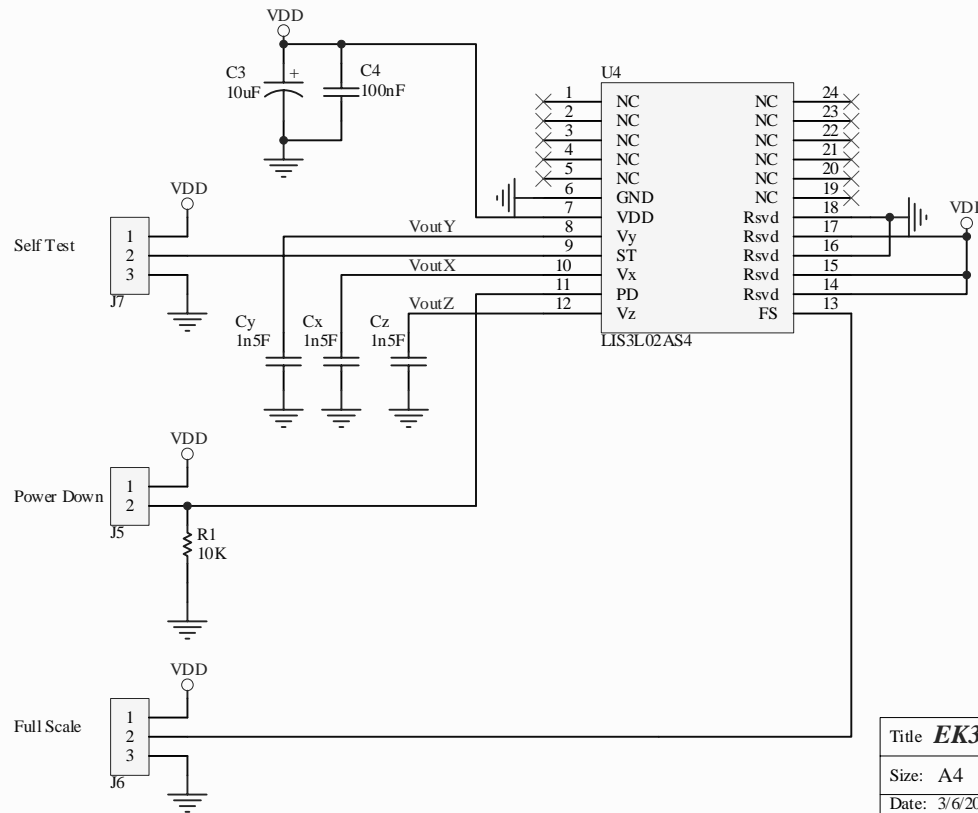
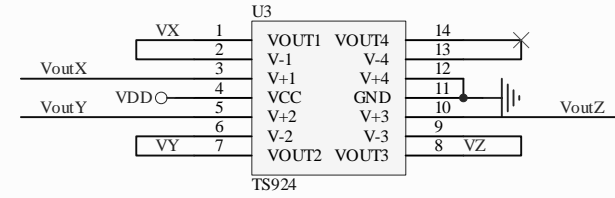
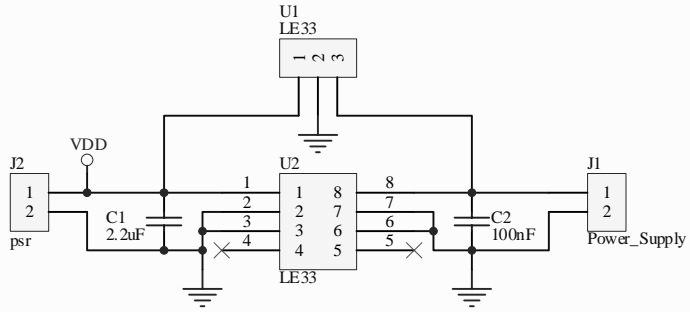
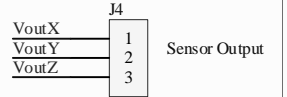
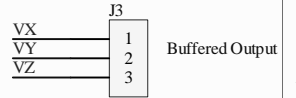



# MPD Application Lab

LE33 linear voltage regulator  
case: SO8 or TO92

TS924 rail to rail Low noise  
Quad operational amplifier



Title <b>EK3L02AS4</b>			STMicroelectronics S.r.l. Via Tolomeo 1 20010 Cornaredo (MI) - Italy	 www.st.com/mems
Size: A4	Number:	Revision: 1.0	Bendischioli P. - Minotti M.	
Date: 3/6/2007	Time: 11:32:15 AM Sheet 1 of 1			
File: C:\MPD\EK3L02AS4\EK3L02AS4_Rev1_0.schdoc				